

Comments:

	A (mm)	B (mm)	C (mm)	D (mm)	Net weight (kg) (Water)	Operation weight (kg) (Water)	Maximum weight (kg) (Water)
EWK-C 680/3	3920	1025	2061	500	3126*	6070*	7169*
EWK-C 680/4	4190	1295	2261	700	3593*	6743*	7843*
EWK-C 680/5	4190	1295	2461	900	4058	7415	8515
EWK-C 680/6	4420	1525	2661	1100	4525*	8090*	9189*

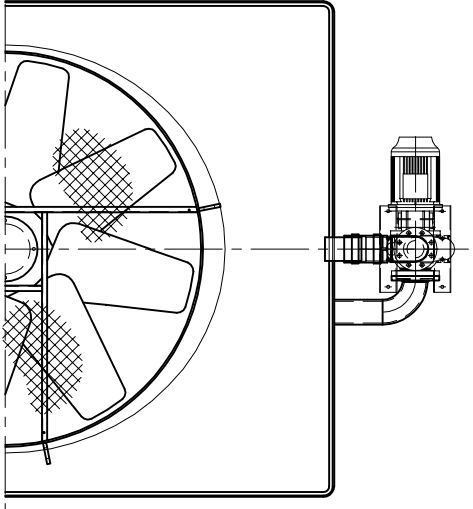
Revision index: 1

Name	Sign	Date
Y. Breña		15/02/16
F. del Olmo		15/02/16

EWK Torres de Refrigeración S.A.
 Paseo de la Castellana 153 nº 10
 Fco. Torrelaguna 83, Frente al Saz del Jarama
 Madrid, Spain

EWK

Production Department - Technical Office
 Drawing number: EWK-C 680
 Status: Approved
 Language: EN
 Page: 1/1



***EWK does not assure any unmentioned measure from the drawing